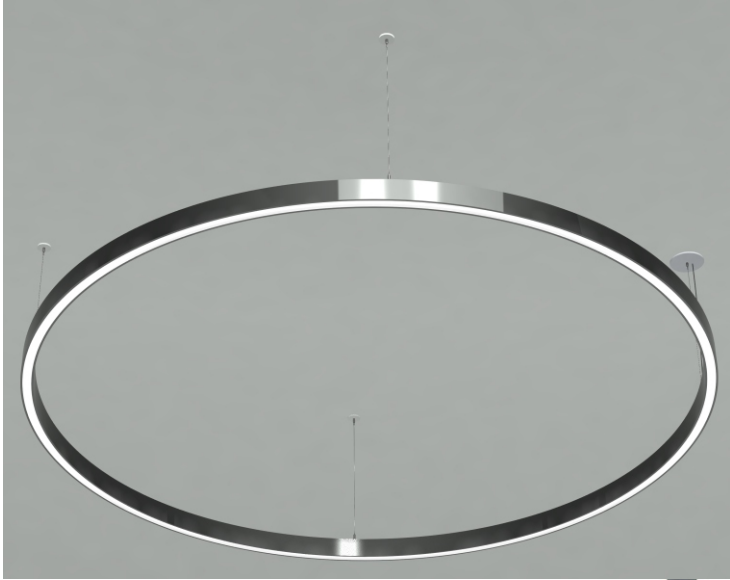


Rings 8' to 18' Diameter

Direct circular ring pendant

Project	Type	Catalog #



Features/ Construction

- Direct circular ring with (3) different cross section sizes.

LED Specs

- 90+ CRI
- Title 24 Compliant
- 5 Year Warranty

Electrical

- Universal primary
- 24V Secondary
- Constant voltage driver

Installation

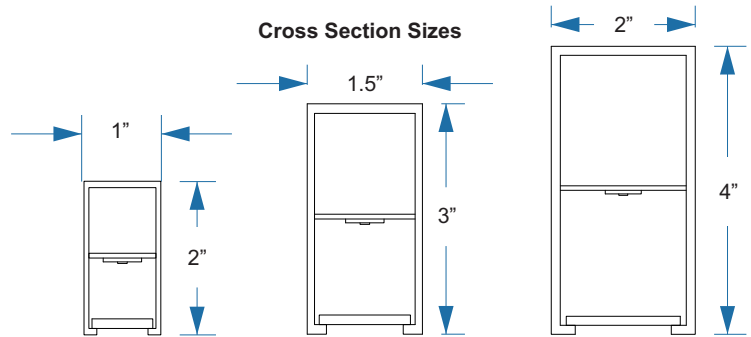
- Fixture will shipped out in (4) sections
- Sections will need to be assembled onsite
-(4) Pick up points for the 8'/10'/12'
-(8) Pick up points for the 14'/ 16' (see page 3)

Dimming/ Controller

- Standard 0-10V Dimming
- DMX or Bluetooth for RGBW Controller

Compliance

- TUV listed to US and Canadian standard for dry locations



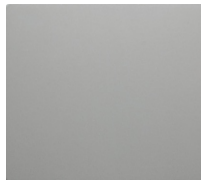
Standard Powder Coat Colors



Matte Black



White



Glossy Silver



Brass



Gold Vein

Premium Finishes



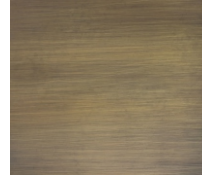
Brushed Aluminum



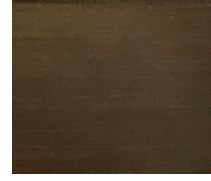
Chrome



Brushed Brass



Brushed Bronze (Painted)



Dark Bronze (Painted)

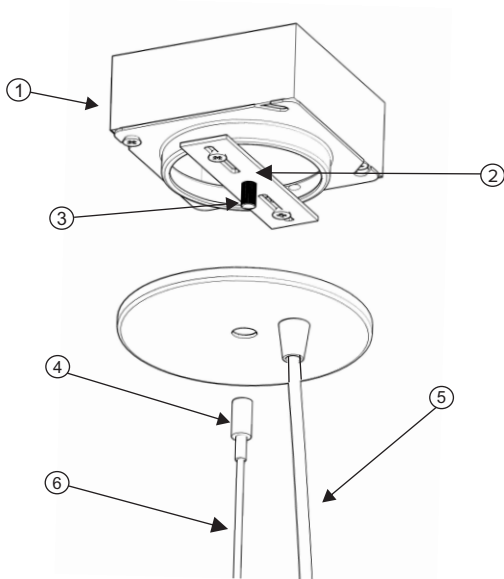
Example: RNGD-12-2-30-BA-S-WC-W

Product Code	Diameter	Cross Section	CCT	Finish	Cord Color	Canopy Color	
RNGD: Rings Direct Light	Watts						
	Initial Lumens						
	Model @ 3000K						
	8: 8' OD	88	6785	27: 2700K	MB: Matte Black	BC: Black Cord	W: White
	10: 10' OD	110	8485	30:3000K	W: White	WC: White Cord	B: Black
	12: 12' OD	130	9250	35:35000K	S: Glossy Silver	BF: Black Fabric	S: Silver
	14: 14' OD	150	11570	42: 4200K	BP: Brass Powder Coat	WF: White Fabric	
15: 15' OD	160	12390	RGBW: RGBW	GV: Gold Vein	SF: Silver Fabric		
16: 16' OD	175	13560		BA: Brushed Aluminum	RF: Red Fabric		
18: 18' OD	195	15040		CR: Chrome			
				BB: Brushed Brass			
				BBR: Brushed Bronze			
				DB: Dark Bronze			

Rings 8' to 18' Diameter

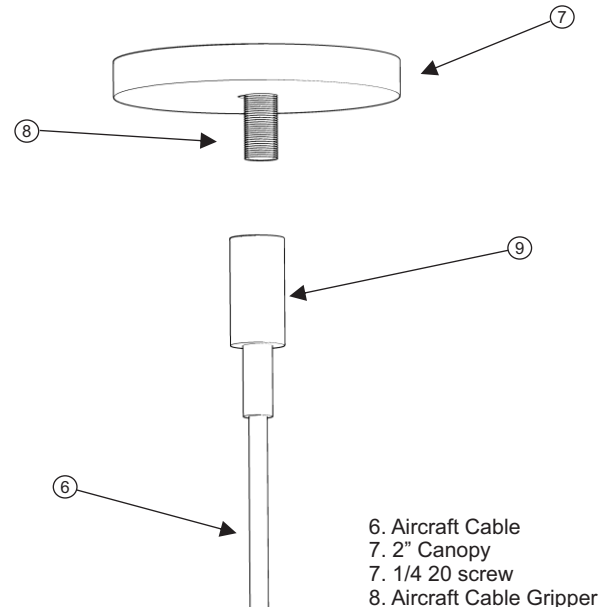
Direct circular ring pendant

5" Power Feed Canopy Detail



1. Electrical Box with P Ring (Provided by other)
2. Fixture Bar
3. 1/4 20 Screw to hold aircraft cable
4. Aircraft gripper
5. Cord to energizing fixture
6. Aircraft Cable

2" Canopy Detail



6. Aircraft Cable
7. 2" Canopy
8. 1/4 20 screw
9. Aircraft Cable Gripper

Remote Power Supply Specification



Dimensions: 9.5" Length X 2.4" Width X 1.46" Height

Power Supply Safety

- UL and cUL Listed [5GH6]
- UL Outdoor Type 1
- UL Class 2
- Class A sound rating
- Overload Protection
- Open/Short Circuit Protection
- LED driver has a life expectancy of 50,000 hours at Tcase of $\leq 75^{\circ}\text{C}$
- LED driver has a life expectancy of 100,000 hours at Tcase of $\leq 65^{\circ}\text{C}$
- Warranty: 5 yrs based on max case temp of $< 75^{\circ}\text{C}$; 3 yrs based on max case temp of 90°C *
- Input/Output Isolation
- FCC Title 47 CFR Part 15
- Surge Protection (3 KV)

Installation

- If wattage is over 100 watts (2) remote drivers will be needed
- IP 66 Harsh Waterproof
- Max Remote installation distance is 18 ft
- LED driver cases should be grounded
- 18 AWG 600V/105C tinned stranded copper lead-wires are required for installation

Rings 8' to 18' Diameter

Direct circular ring pendant

Ring Pick up Points

