

Rings 8' to 18' Diameter

Externally diffused ring pendant

Project	Type	Catalog #

Features/ Construction

- External circular ring with (3) different cross section sizes.

LED Specs

- 90+ CRI
- Title 24 Compliant
- 5 Year Warranty

Electrical

- Universal primary
- 24V Secondary
- Constant voltage driver

Installation

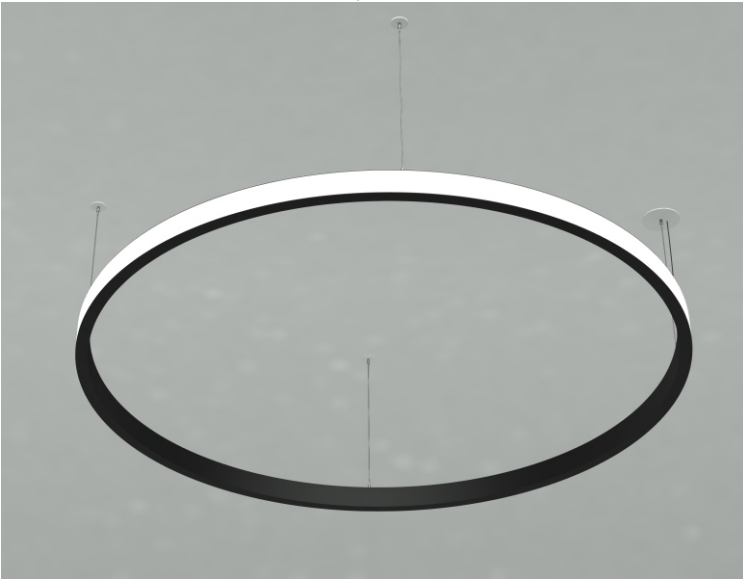
- Fixture will shipped out in (4) sections
- Sections will need to be assembled onsite
- (4) Pick up points for the 8'/10'/12'
- (8) Pick up points for the 14'/ 16' (see page 3)

Dimming/ Controller

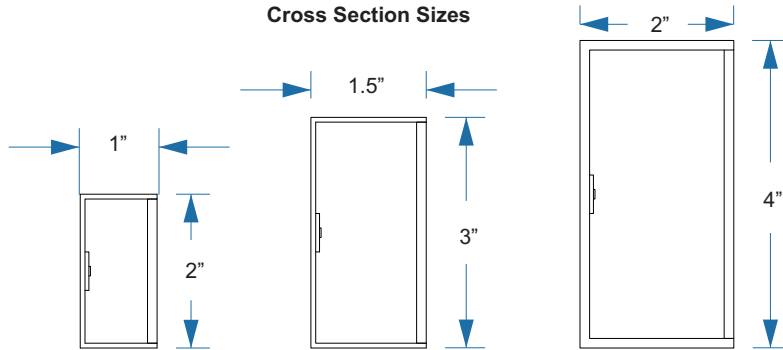
- Standard 0-10V Dimming
- DMX or Bluetooth for RGBW Controller

Compliance

- TUV listed to US and Canadian standard for dry locations



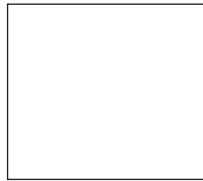
Cross Section Sizes



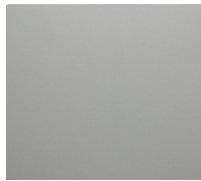
Standard Powder Coat Colors



Matte Black



White



Glossy Silver

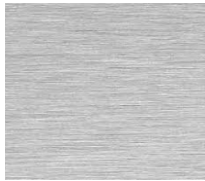


Brass



Gold Vein

Premium Finishes



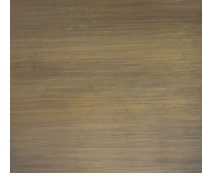
Brushed Aluminum



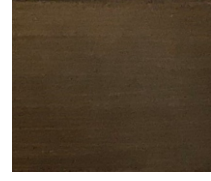
Chrome



Brushed Brass



Brushed Bronze (Painted)



Dark Bronze (Painted)

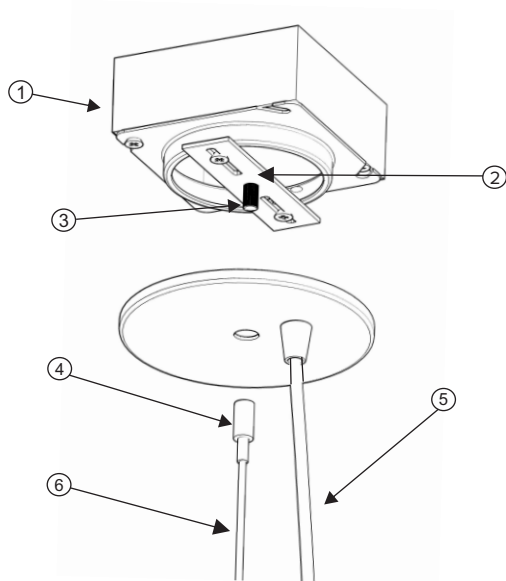
Example: RNGEX-12-2-30-BA-S-WC-W

Product Code	Diameter	Cross Section	CCT	Finish	Cord Color	Canopy Color
RNGIN: Rings External Light	8: 8' OD	2: 2" H X 1" W	27: 2700K	MB: Matte Black	BC: Black Cord	W: White
	10: 10' OD	3: 3" H X 1.5" W	30:3000K	W: White	WC: White Cord	B: Black
	12: 12' OD	4: 4" H X 2" W	35:35000K	S: Glossy Silver	BF: Black Fabric	S: Silver
	14: 14' OD		42: 4200K	BP: Brass Powder Coat	WF: White Fabric	
	15: 15' OD		RGBW: RGBW	GV: Gold Vein	SF: Silver Fabric	
	16: 16' OD			BA: Brushed Aluminum	RF: Red Fabric	
	18: 18' OD			CR: Chrome		
				BB: Brushed Brass		
				BBR: Brushed Bronze		
				DB: Dark Bronze		

Rings 8' to 18' Diameter

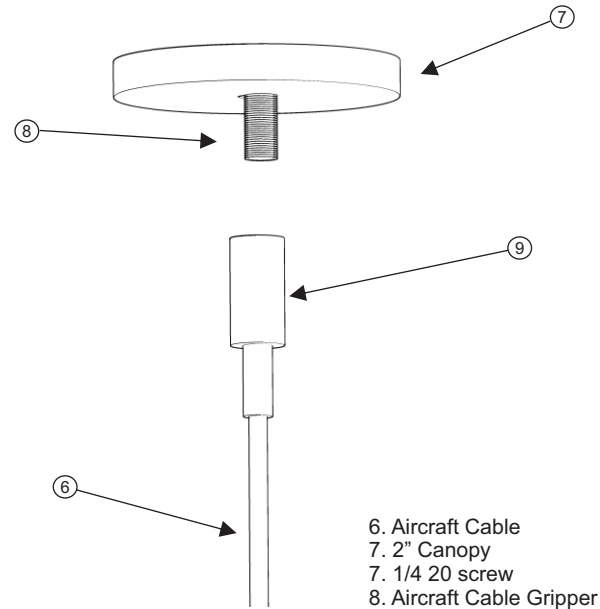
Direct circular ring pendant

5" Power Feed Canopy Detail



1. Electrical Box with P Ring (Provided by other)
2. Fixture Bar
3. 1/4 20 Screw to hold aircraft cable
4. Aircraft gripper
5. Cord to energizing fixture
6. Aircraft Cable

2" Canopy Detail



6. Aircraft Cable
7. 2" Canopy
8. 1/4 20 screw
9. Aircraft Cable Gripper

Remote Power Supply Specification



Dimensions: 9.5" Length X 2.4" Width X 1.46" Height

Power Supply Safety

- UL and cUL Listed [5GH6]
- UL Outdoor Type 1
- UL Class 2
- Class A sound rating
- Overload Protection
- Open/Short Circuit Protection
- LED driver has a life expectancy of 50,000 hours at Tcase of $\leq 75^{\circ}\text{C}$
- LED driver has a life expectancy of 100,000 hours at Tcase of $\leq 65^{\circ}\text{C}$
- Warranty: 5 yrs based on max case temp of $< 75^{\circ}\text{C}$; 3 yrs based on max case temp of 90°C *
- Input/Output Isolation
- FCC Title 47 CFR Part 15
- Surge Protection (3 KV)

Installation

- If wattage is over 100 watts (2) remote drivers will be needed
- IP 66 Harsh Waterproof
- Max Remote installation distance is 18 ft
- LED driver cases should be grounded
- 18 AWG 600V/105C tinned stranded copper lead-wires are required for installation

Rings 8' to 18' Diameter

Direct circular ring pendant

Ring Pick up Points

