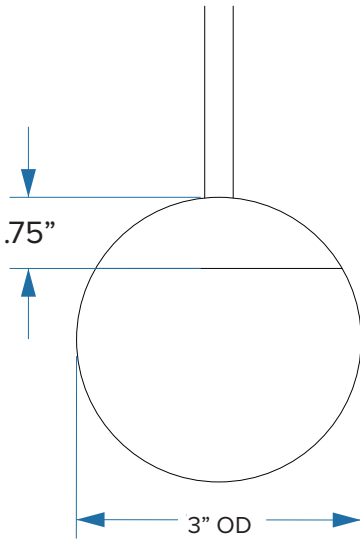


GLOBO Series

3”/4” Acrylic Clear Globes

Project	Type	Catalog #



FEATURES

- Solid acrylic globes illuminated from top of fixture.
- Large configuration allows for unique 3D design
- Adjustable cord height to allow design onsite.

CANOPY

- Standard 2” or 5” canopy available in 12 standard colors.
- Large custom recessed canopy available upon request.
- Custom recessed canopy can be painted with primer only and will need to be painted over with ceiling paint to better match ceiling color.
- Custom grid style canopy available upon request.

LED SPECIFICATIONS

- 2700K, 3000K, 3500K and 4000K
- 80 and 90 CRI
- > 50,000 Hours L70
- 3-Step MacAdam Ellipse Binning

POWER SUPPLY

- Remote or Integral options
- 120V or 277V Input; Power factor > .9, 50/60Hz
- This product complies with IEEE C62.41 for surge endurance up to 2.5K

DIMMING

- 0-10V Dimming 1%
- Forward/ reverse dimming 1%(120V only)
- Lutron® LDE Hi-Lume 1% Ecosystem-Remote mount only

COMPLIANCE

- ETL Listed to US and Canadian standard for dry locations
- Tested in accordance with LM-79-08
- Title 24 commercial installation compliant

MOUNTING

- 2” Canopy, recessed canopy, and grid canopy requires a remote power supply
- Remote driver enclosure included. Maximum 25’ from fixture remain accessible.
- 5” Canopy Remote or integral power supply
- 3/16” Black, white, silver rayon cord
- Standard cord lengths 5’/10’/15’ with custom lengths upon request
- Custom recessed /grid canopy will require CAD files for fixture locations and canopy pick up points

Warranty

- 3-Year Limited Warranty

FIXTURE DATA

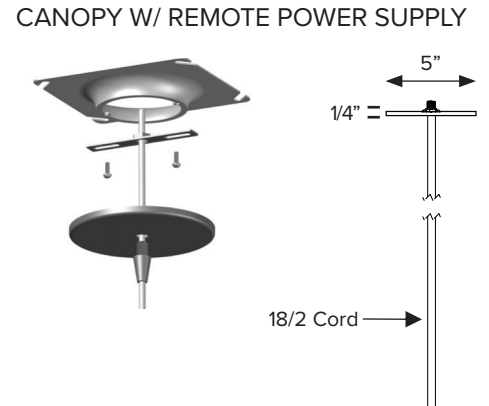
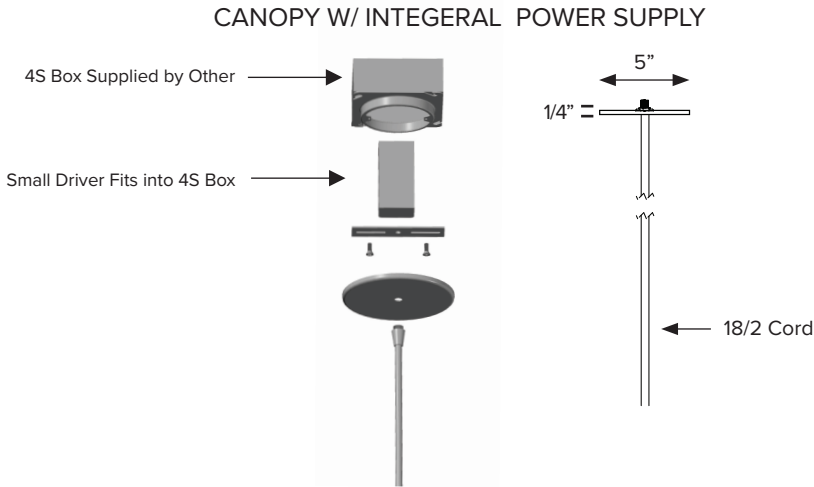
Model @ 3000K	Efficacy	Lumens
2W	91	182
4W	91	368
4W RGBW	80	368

Example: GS2SS3W35D102RB

Product Code	Diameter	Cap/Canopy	Wattage	CCT	Dimming	Mounting	Cord Color
GS: Globo Series	2: 2” OD 3: 3” OD	SS: Brushed Stainless Steel SP: Polished Stainless Steel W: Matte White B: Matte Black S: Glossy Silver BR: Brass G: Gold Powdercoat	3W: 3 Watts per fixture 4W: 4 Watts per fixture	27: 2700K 30: 3000K 35: 3500K 40: 4000K RGB: RGBW	D10: 0-10V Dimming 1% D: Phase Dimming LUT: Lutron EcoSystem 1%	5CR: 5” Canopy Remote Driver 5CI: 5” Canopy Integral Driver 2R: 2” Remote Driver	B: Black W: White S: Silver G: Gold

GLOBO Series

3 3/4" Acrylic Clear Globes



REMOTE POWER SUPPLY SPECIFICATION

POWER SUPPLY SPECIFICATION

- High performance LED driver
- Universal Input Voltage: 120-277V AC
- Universal dimming with ELV, Triac & 0-10V dimmers 100-0%
- Flicker free dimming
- Aluminum casing for optimal heat dissipation
- Isolated output power per NEC and UL safety requirements
- UL & ETL recognized/ listed, meets UL 8750, 1310 requirements
- Auto-reset; short circuit, overload and thermal protection
- Class 2 power supply
- Efficient, High power factor > 0.90

Remote driver box
Damp location

