

Rings 8' to 18' Diameter

Direct/Indirect circular ring pendant

Project	Type	Catalog #

Features/ Construction

- Direct/Indirect circular ring with (3) different cross section sizes.

LED Specs

- 90+ CRI
- Title 24 Compliant
- 5 Year Warranty

Electrical

- Universal primary
- 24V Secondary
- Constant voltage driver

Installation

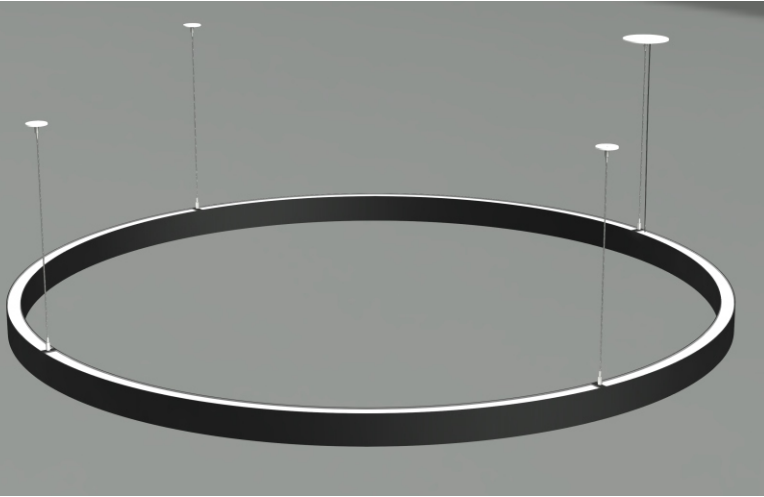
- Fixture will shipped out in (4) sections
- Sections will need to be assembled onsite
- (4) Pick up points for the 8'/10'/12'
- (8) Pick up points for the 14'/ 16' (see page 3)

Dimming/ Controller

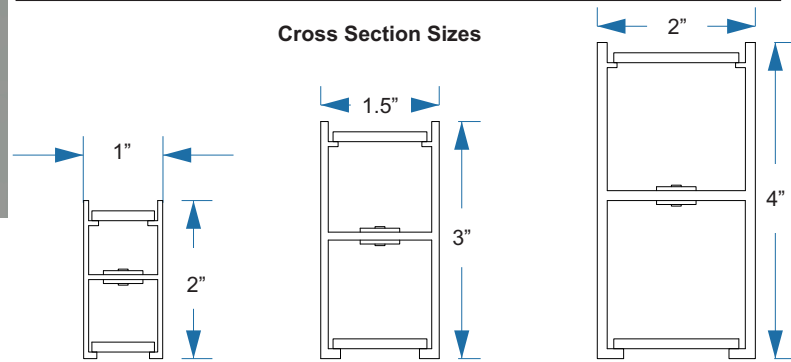
- Standard 0-10V Dimming
- DMX or Bluetooth for RGBW Controller

Compliance

- TUV listed to US and Canadian standard for dry locations



Cross Section Sizes



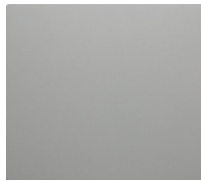
Standard Powder Coat Colors



Matte Black



White



Glossy Silver

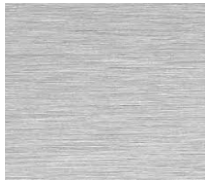


Brass



Gold Vein

Premium Finishes



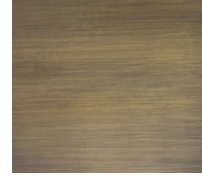
Brushed Aluminum



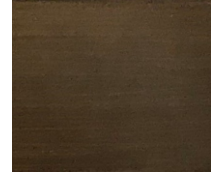
Chrome



Brushed Brass



Brushed Bronze (Painted)



Dark Bronze (Painted)

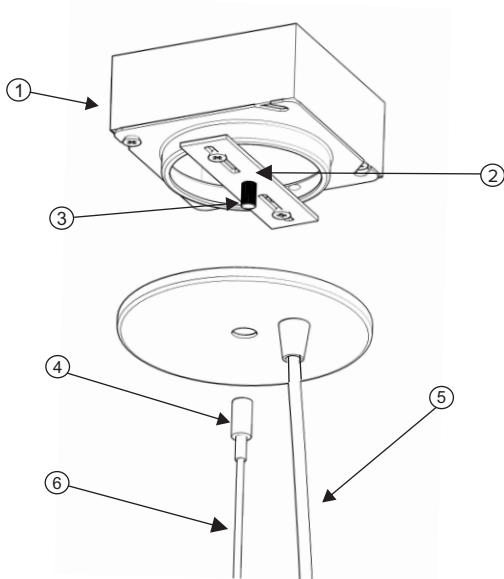
Example: RNGID-12-2-30-BA-S-WC-W

Product Code	Diameter	Cross Section	CCT	Finish	Cord Color	Canopy Color
RNGD: Rings Direct/Indirect Light	8: 8' OD	2: 2" H X 1" W 3: 3" H X 1.5" W 4: 4" H X 2" W	27: 2700K 30:3000K 35:35000K 42: 4200K RGBW: RGBW	MB: Matte Black W: White S: Glossy Silver BP: Brass Powder Coat GV: Gold Vein BA: Brushed Aluminum CR: Chrome BB: Brushed Brass BBR: Brushed Bronze DB: Dark Bronze	BC: Black Cord WC: White Cord BF: Black Fabric WF: White Fabric SF: Silver Fabric RF: Red Fabric	W: White B: Black S: Silver
	Watts					
	Initial Lumens					
	88					
	110					
	130					
	150					
160						
175						
195						

Rings 8' to 18' Diameter

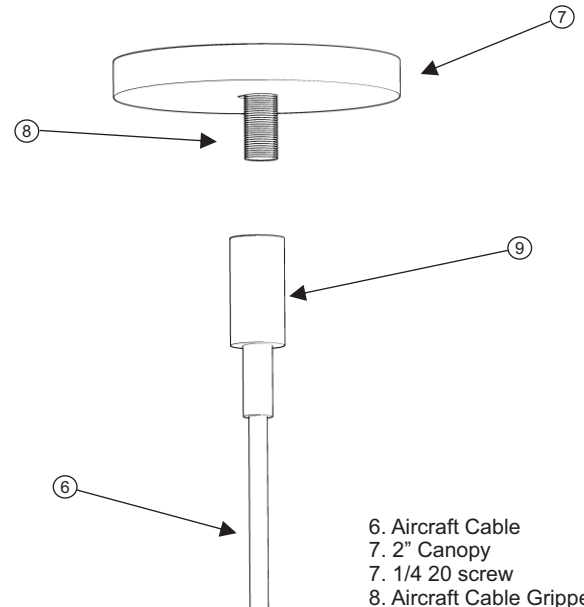
Direct circular ring pendant

5" Power Feed Canopy Detail



1. Electrical Box with P Ring (Provided by other)
2. Fixture Bar
3. 1/4 20 Screw to hold aircraft cable
4. Aircraft gripper
5. Cord to energizing fixture
6. Aircraft Cable

2" Canopy Detail



6. Aircraft Cable
7. 2" Canopy
7. 1/4 20 screw
8. Aircraft Cable Gripper

Remote Power Supply Specification



Dimensions: 9.5" Length X 2.4" Width X 1.46" Height

Power Supply Safety

- UL and cUL Listed [5GH6]
- UL Outdoor Type 1
- UL Class 2
- Class A sound rating
- Overload Protection
- Open/Short Circuit Protection
- LED driver has a life expectancy of 50,000 hours at Tcase of $\leq 75^{\circ}\text{C}$
- LED driver has a life expectancy of 100,000 hours at Tcase of $\leq 65^{\circ}\text{C}$
- Warranty: 5 yrs based on max case temp of $< 75^{\circ}\text{C}$; 3 yrs based on max case temp of 90°C *
- Input/Output Isolation
- FCC Title 47 CFR Part 15
- Surge Protection (3 KV)

Installation

- If wattage is over 100 watts (2) remote drivers will be needed
- IP 66 Harsh Waterproof
- Max Remote installation distance is 18 ft
- LED driver cases should be grounded
- 18 AWG 600V/105C tinned stranded copper lead-wires are required for installation

Rings 8' to 18' Diameter

Direct circular ring pendant

Ring Pick up Points

