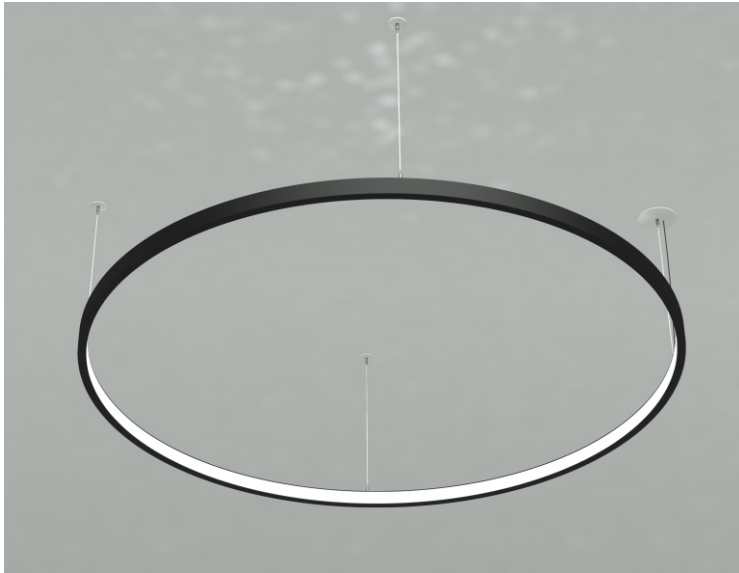


# Rings 8' to 18' Diameter

## Internally diffused ring pendant

Project	Type	Catalog #



**Features/ Construction**  
 - Internal circular ring with (3) different cross section sizes.

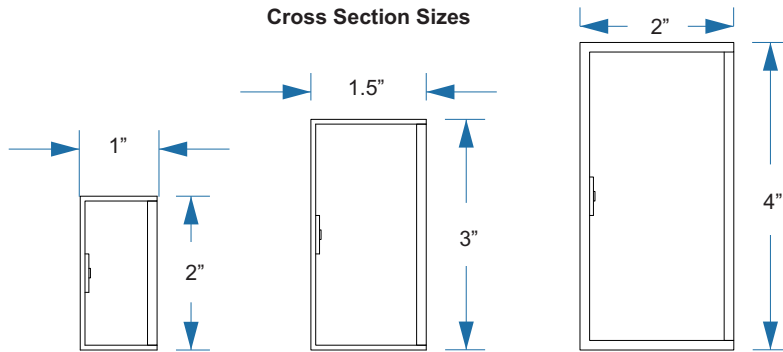
**LED Specs**  
 - 90+ CRI  
 - Title 24 Compliant  
 - 5 Year Warranty

**Electrical**  
 - Universal primary  
 - 24V Secondary  
 - Constant voltage driver

**Installation**  
 - Fixture will shipped out in (4) sections  
 - Sections will need to be assembled onsite  
 -(4) Pick up points for the 8'/10'/12'  
 -(8) Pick up points for the 14'/ 16' (see page 3)

**Dimming/ Controller**  
 - Standard 0-10V Dimming  
 - DMX or Bluetooth for RGBW Controller

**Compliance**  
 - TUV listed to US and Canadian standard for dry locations



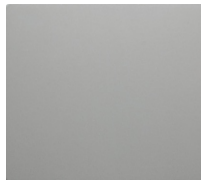
### Standard Powder Coat Colors



Matte Black



White



Glossy Silver

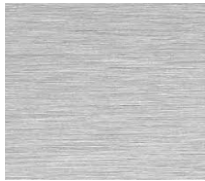


Brass



Gold Vein

### Premium Finishes



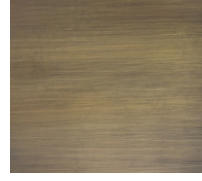
Brushed Aluminum



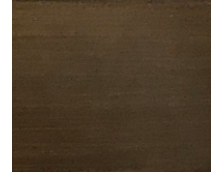
Chrome



Brushed Brass



Brushed Bronze (Painted)



Dark Bronze (Painted)

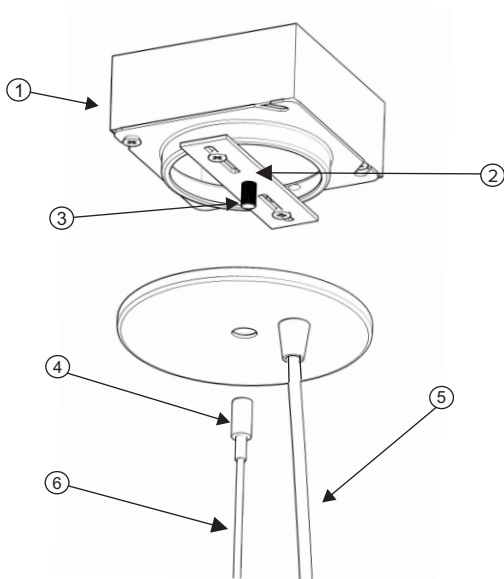
### Example: RNGIN-12-2-30-BA-S-WC-W

Product Code	Diameter	Cross Section	CCT	Finish	Cord Color	Canopy Color
<b>RNGIN:</b> Rings Internal Light	8: 8' OD	2: 2" H X 1" W 3: 3" H X 1.5" W 4: 4" H X 2" W	27: 2700K 30:3000K 35:35000K 42: 4200K RGBW: RGBW	<b>MB:</b> Matte Black <b>W:</b> White <b>S:</b> Glossy Silver <b>BP:</b> Brass Powder Coat <b>GV:</b> Gold Vein <b>BA:</b> Brushed Aluminum <b>CR:</b> Chrome <b>BB:</b> Brushed Brass <b>BBR:</b> Brushed Bronze <b>DB:</b> Dark Bronze	<b>BC:</b> Black Cord <b>WC:</b> White Cord <b>BF:</b> Black Fabric <b>WF:</b> White Fabric <b>SF:</b> Silver Fabric <b>RF:</b> Red Fabric	<b>W:</b> White <b>B:</b> Black <b>S:</b> Silver
	10: 10' OD					
	12: 12' OD					
	14: 14' OD					
	15: 15' OD					
	16: 16' OD					
	18: 18' OD					
	Watts	Initial Lumens				
	88	6785				
	110	8485				
	130	9250				
	150	11570				
	160	12390				
	175	13560				
	195	15040				

## Rings 8' to 18' Diameter

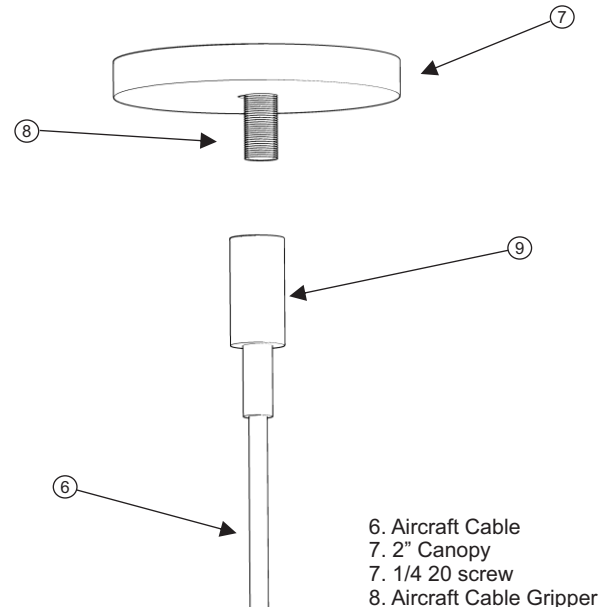
Direct circular ring pendant

### 5" Power Feed Canopy Detail



1. Electrical Box with P Ring (Provided by other)
2. Fixture Bar
3. 1/4 20 Screw to hold aircraft cable
4. Aircraft gripper
5. Cord to energizing fixture
6. Aircraft Cable

### 2" Canopy Detail



6. Aircraft Cable
7. 2" Canopy
7. 1/4 20 screw
8. Aircraft Cable Gripper

## Remote Power Supply Specification



**Dimensions: 9.5" Length X 2.4" Width X 1.46" Height**

### Power Supply Safety

- UL and cUL Listed [5GH6]
- UL Outdoor Type 1
- UL Class 2
- Class A sound rating
- Overload Protection
- Open/Short Circuit Protection
- LED driver has a life expectancy of 50,000 hours at Tcase of  $\leq 75^{\circ}\text{C}$
- LED driver has a life expectancy of 100,000 hours at Tcase of  $\leq 65^{\circ}\text{C}$
- Warranty: 5 yrs based on max case temp of  $< 75^{\circ}\text{C}$ ; 3 yrs based on max case temp of  $90^{\circ}\text{C}$ \*
- Input/Output Isolation
- FCC Title 47 CFR Part 15
- Surge Protection (3 KV)

### Installation

- If wattage is over 100 watts (2) remote drivers will be needed
- IP 66 Harsh Waterproof
- Max Remote installation distance is 18 ft
- LED driver cases should be grounded
- 18 AWG 600V/105C tinned stranded copper lead-wires are required for installation

# Rings 8' to 18' Diameter

Direct circular ring pendant

## Ring Pick up Points

