

Project	Type	Catalog #

### FEATURES

- Slim 2", 3", or 4" outer diameter acrylic tube
- Uniform illumination
- Custom bent radiuses available (see page 2)
- Continuous runs connected with small .25" metal band.

### CANOPY

- Multiple materials and finishes available including stainless steel #4, polished stainless steel, aluminum powder coat in white, black or silver. Brass and copper available by special order.
- RAL colors available.
- Aircraft cable mounting standard

### LED SPECIFICATIONS

- 2700K, 3000K, 3500K and 4100K
- 90 CRI
- >50,000 HOURS L70
- 2-step MacAdam Ellipse Binning

### POWER SUPPLY

- 120V or 277V input; Power factor >.9, 50/60Hz
- This product complies with IEEE C62.41 for surge endurance up to 2.5KV

### DIMMING

- 0-10V Dimming 1%
- Forward/reverse dimming 1% (120V only)
- Lutron® LDE1 Hi-Lume 1% EcoSystem

### COMPLIANCE

- TUV listed to US and Canadian standards for damp locations
- Tested in accordance with LM-79-08

### MOUNTING

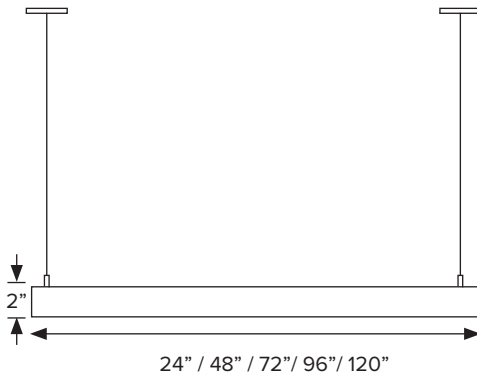
- Remote power supply required
- Power supply enclosure included. Maximum 60' from fixture and must remain accessible
- Aircraft cable suspension
- Available with black or white power cord

### EMERGENCY BACKUP

- Remote test switch included. External battery operates LED load of up to 7W at a minimum of 400 lumens for 90 minutes. IOTA part #ILB-CP07-A

### WARRANTY

- 3 Year Limited



### FIXTURE DATA

#### SO - Standard Output

Model @ 3000°K	Efficacy lm/Wt	Lumens	Total Wattage
24"	92	552	6W
48"	92	1104	12W
72"	92	1656	18W
96"	92	2208	24W
120"	92	2760	30W

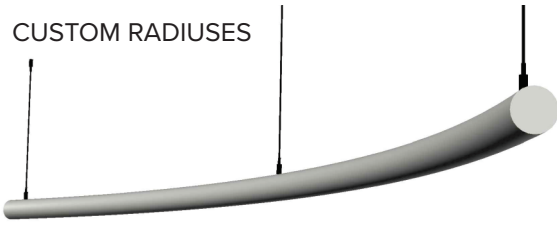
#### HO - High Output

Model @ 3000°K	Efficacy lm/Wt	Lumens	Total Wattage
24"	92	1104	12W
48"	92	2208	24W
72"	92	3312	36W
96"	92	4416	48W
120"	92	5520	60W

### Example: BP2120WSO30D1020ACR240

Product Code	Diameter	Length	Canopy	Wattage	CCT	Dimming	Mounting	Options
BP: Bachetta Piatto	2: 2" OD 3: 3" OD 4: 4" OD	24: 24" 48: 48" 72: 72" 96: 96" 120: 120"	SS: Brushed Stainless Steel SP: Stainless Steel Polished W: White B: Black S: Silver BR: Brass 1	SO: 3W per ft HO: 6W per ft	27: 2700K 30: 3000K 35: 3500K 40: 4000K	D10: 0-10V Dimming 1% D: Phase Dimming LUT: Lutron EcoSystem 1% 2	5A: 5' aircraft cable 10A: 10' aircraft cable 20A: 20' aircraft cable	EM: Emergency Backup 7W

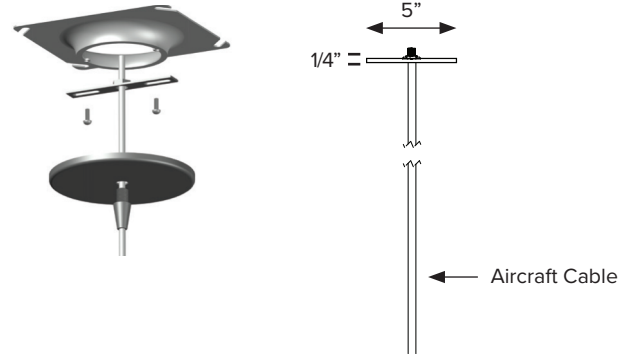
1. Special Order. Consult factory for lead time.



CR \_\_\_\_"  
TUBE BENT TO CUSTOM RADIUS

- Radius between 6' to 100'
- Aircraft cable in middle of fixture necessary to keep fixture from sagging.

### CANOPY W/ REMOTE POWER SUPPLY



## REMOTE POWER SUPPLY SPECIFICATION

### POWER SUPPLY SPECIFICATION

- High performance LED driver
- Universal Input Voltage: 120-277V AC
- Universal dimming with ELV, Triac & 0-10V dimmers 100-0%
- Flicker free dimming
- Aluminum casing for optimal heat dissipation
- Isolated output power per NEC and UL safety requirements
- UL & ETL recognized/ listed, meets UL 8750, 1310 requirements
- Auto-reset; short circuit, overload and thermal protection
- Class 2 power supply
- Efficient, High power factor > 0.90

Remote driver box  
Damp location

